



MILL MASTERS

Tube Making Machines for Radiator, CAC and Intercooler Tubes

High Quality Rotary Tube Cutoff Machine

RC340



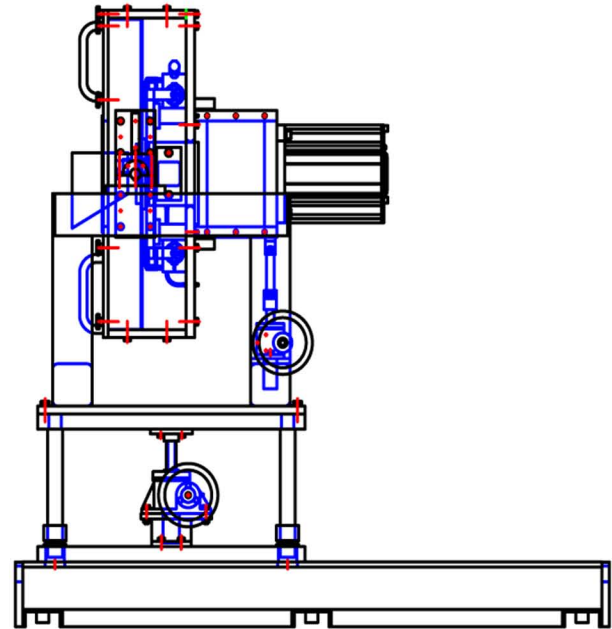
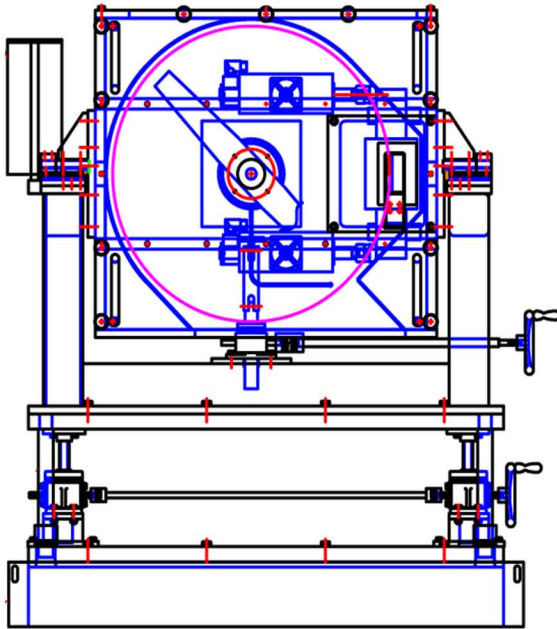
RC340 Tech Specs:

- Material: Aluminum and Brass
- Thickness: up to .5mm
- Cut Length: 101mm – 1080mm (+/- 0.5mm)
1080mm and up (+/- 0.8mm)
- Max Height: 80mm
- Max Width 10mm
- Max Speed: 150 MPM

(731) 668-5558 Fax (731) 668-2477 USA sales@millmasters.net www.millmasters.com

RC340

High Quality Rotary Tube Cutoff Machine



Specs:

- Material: Aluminum and Brass
- Thickness: up to .5mm
- Cut Length: 101mm – 1080mm (+/- 0.5mm)
1080mm and up (+/- 0.8mm)

- Max Height: 80mm
- Max Width: 10mm
- Max Speed: 150 MPM
- Cuts/ minute: 600 cuts/min
- Air pressure: 4 bar, 19mm line, or
60psi, 3/4" line

- Tool Change Time: 10 minutes

